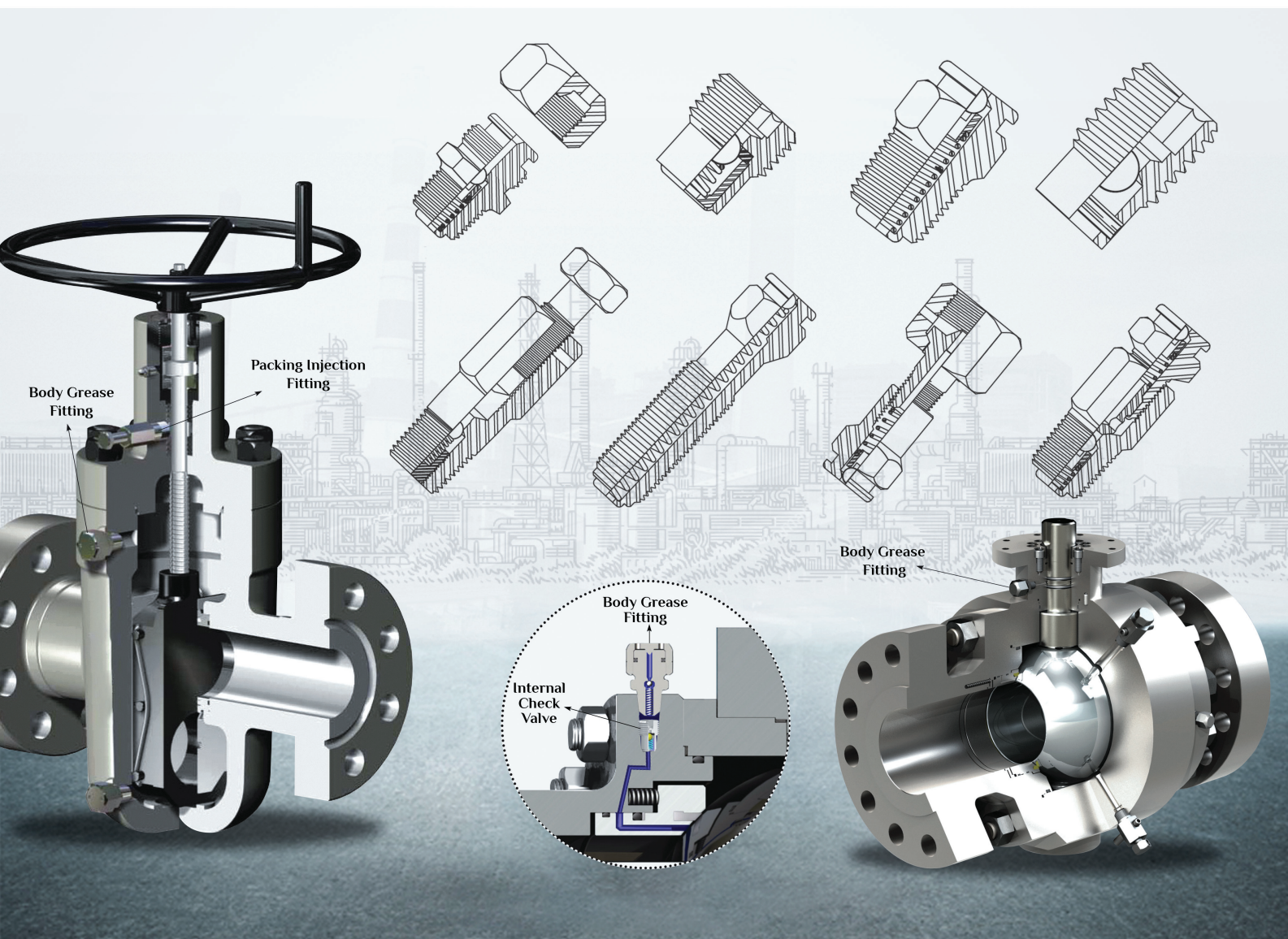


SEALANT INJECTION GREASE FITTINGS



HP VALVES & FITTINGS INDIA PRIVATE LIMITED

Instrumentation Valves & Fittings and Sealant Injection Grease Fittings



ABOUT US

HP VALVES & FITTINGS INDIA PRIVATE LIMITED, was established in the year of 2000, We are Integrated Management System (IMS) Certified Company (ISO 9001:2015, ISO 14001:2015, ISO 45001:2018) by TUV Nord Group for the scope of Design, Manufacture, Testing and Supply of Instrumentation Valves & Fittings i.e. Tube Fittings, Pipe Fittings, Sealant Injection Grease Fittings, Manifold Valves, Needle Valves, Ball Valves, Check Valves, Globe Valves, Gate Valves, Relief Valves, Air Filter Regulators, Air Headers, Condensate Pot, Injection Quills, Syphon, Instrument Hook - Up and Custom Build / Specialized Engineering Components

Our Brand Name : HPLOK / HP / HP INDIA / HP VALVES & FITTINGS

Mr. S. Harichandran – Managing Director, founder of this business with an aim to become a leader in this Field of Instrumentation System Solutions.

He has wide experience of 25 years in this field. With his sharp business acumen and constant efforts, he has earned a reputation for his business. Our aims towards achieving the highest level of business efficiency with integrity and honesty in order to create benchmark globally in quality of valves and fittings industry .

WHY HP?

- ◆ Our Performance Meets your Expectations
- ◆ Focus on Consistent quality compliance
- ◆ Follow International codes & standards which ensures
- ◆ Recognition in the market
- ◆ Competitive cost effectiveness
- ◆ Continuous on our R&D Process
- ◆ Flexibility in design
- ◆ Quality and traceability on our products.
- ◆ Fully computerized inventory system
- ◆ Stringent quality control checks
- ◆ Dedicated Professional and expert workforce
- ◆ Timely delivery & Product durability
- ◆ Service 24 x 7
- ◆ Customized solutions

FACILITIES

To ensure the timely and efficient accessibility of premium quality products, we have established with,

- Latest Modern Machineries.
- Modern Inspection Equipments.
- 8 Axis Multi Axis Machining Centre
- In-House Research & Development Centre
- Latest Design Applications
- In-House state of the art lab facility
- Industry 4.0 Shop Floor Digitization
- In-House Sophisticated Testing Facilities like low emission, Vaccum Test, Cryogenic Test, High Pressure Hydro & High Pressure Gas Test

INTERNATIONAL CODES & STANDARDS

We are following below latest codes & standards for Design & Materials,

FOR DESIGN



FOR MATERIAL



QUALITY ASSURANCE

CERTIFICATIONS



ISO 9001 : 2015



ISO 14001 : 2015

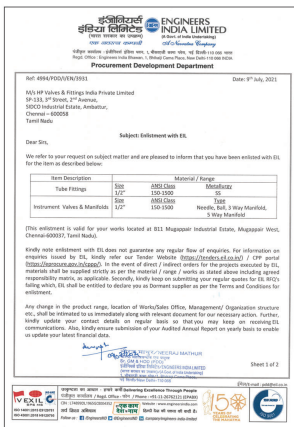


ISO 45001 : 2018

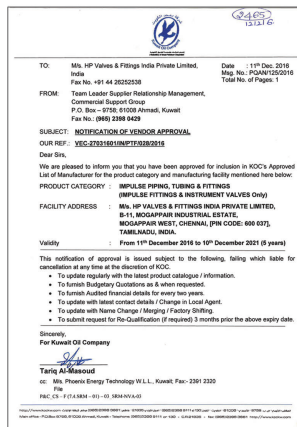


ISO/TS 22163:2017

APPROVALS



EIL APPROVAL CERTIFICATE



KOC APPROVAL CERTIFICATE



KNPC APPROVAL CERTIFICATE

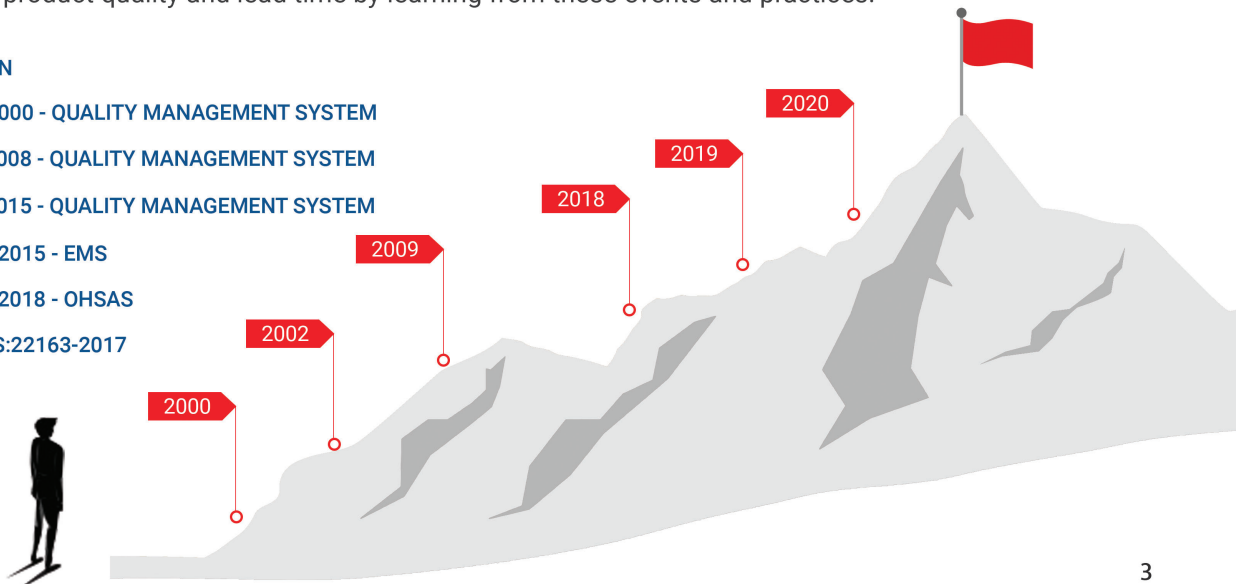


JSRS APPROVAL CERTIFICATE

CONTINUOUS IMPROVEMENT

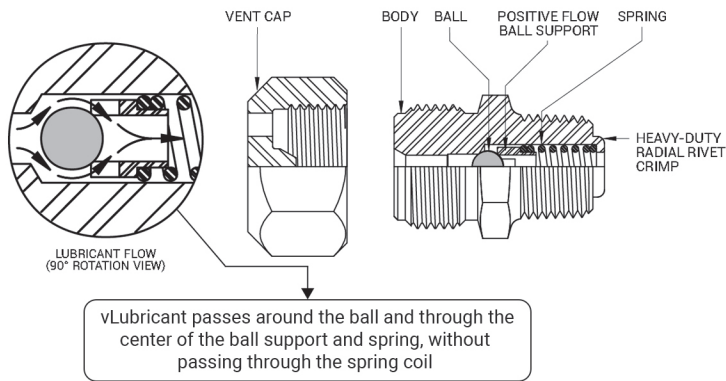
Since 2000 HP has capitalized of the importance of continuous improvement and introduced the concept of lean Manufacturing within the company. Under the leadership and guidance of our senior management who have encouraged everyone in HP to participate in all Kaizen events, this has proved to be a great success. HP is continually improving their technical capabilities, product quality and lead time by learning from these events and practices.

- 2000 • FOUNDATION
- 2002 • ISO 9001 : 2000 - QUALITY MANAGEMENT SYSTEM
- 2009 • ISO 9001 : 2008 - QUALITY MANAGEMENT SYSTEM
- 2018 • ISO 9001 : 2015 - QUALITY MANAGEMENT SYSTEM
- 2018 • ISO 14001 : 2015 - EMS
- 2019 • ISO 45001 : 2018 - OHSAS
- 2020 • IRIS - ISO/TS:22163-2017





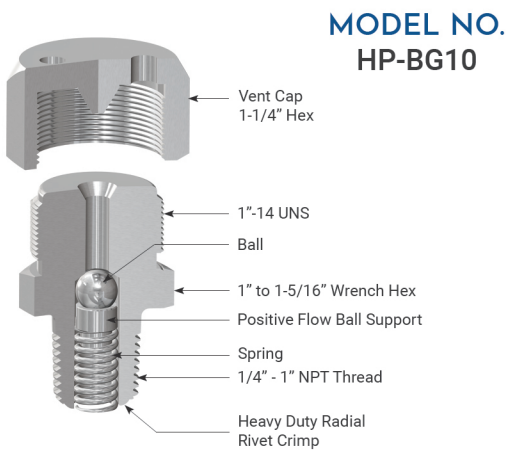
VENTED CAP BODY GREASE FITTINGS - STANDARD TYPE



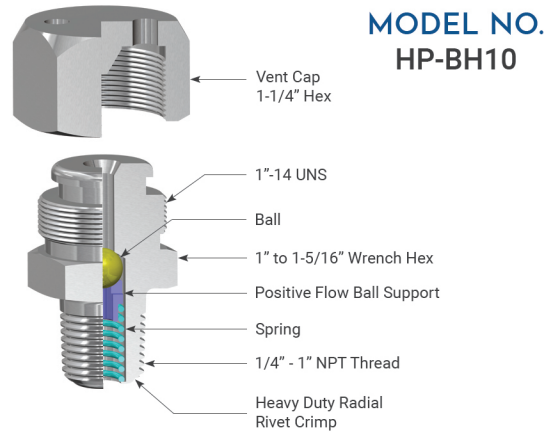
Flow Ball Support. This design directs the flow of the lubricant and/or sealant through the center of the spring without passing through the spring coil, reducing the tendency to “pack-off.” The Positive Flow Ball Support is available in many other fitting styles.

Another feature of the standard body grease fitting is the heavy-duty radial rivet crimp. This special crimp provides the best “blow-out” protection of any available crimped style fitting. The radial rivet crimp process conforms to the latest revision of NACE.

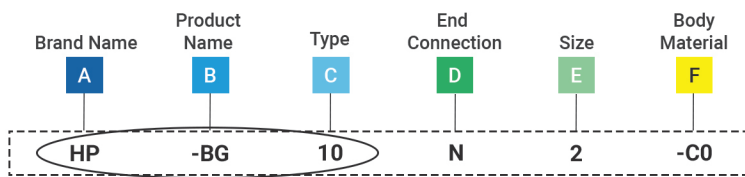
Without Giant Button Head



With Giant Button Head



PART NO. ORDERING SYSTEM:



EXAMPLE :

MODEL NO. (Please refer Product Page)

Part Code: HP-BG10N2-C0

Description: Vented Cap Body Grease Fittings (Standard - Without Giant), 1/4"NPT, SS316

D	END CONN.
N	NPT
BP	BSPP
BT	BSPT
UF	UNF
ME	METRIC
S	UNC
US	UNS
P	NPSM

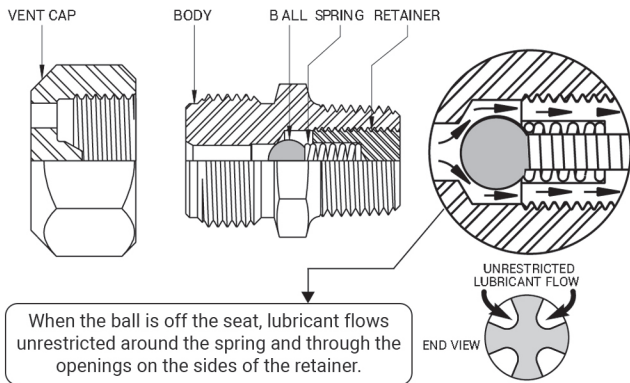
E	SIZE
2	1/4"
3	3/8"
4	1/2"
5	5/8"
6	3/4"
7	7/8"
8	1"

F	MATERIAL		
Code	BODY	BALL	SPRING
10	1215	Chrome Alloy	302 SS
80	4140	K-Monel	Inconel X-750
S1	SS304	K-Monel	Inconel X-750
C0	SS316	K-Monel	Inconel X-750
S5	SS316L	K-Monel	Inconel X-750
S12	410	Tungsten Carbide	Inconel X-750
S13	F44	Tungsten Carbide	Inconel X-750
S14	Duplex - F51	Tungsten Carbide	Inconel X-750
S15	Super Duplex - F53	Tungsten Carbide	Inconel X-750
S16	Super Duplex - F55	Tungsten Carbide	Inconel X-750
S17	Duplex - F60	Tungsten Carbide	Inconel X-750
N1	Monel K400	Tungsten Carbide	Inconel X-750
N2	Monel K500	Tungsten Carbide	Inconel X-750
N4	Inconel 625	Tungsten Carbide	Inconel X-750
N5	Inconel 718	Tungsten Carbide	Inconel X-750
N7	Inconel 825	Tungsten Carbide	Inconel X-750
N8	Hastelloy C276	Tungsten Carbide	Inconel X-750

Note:
For Service to 10,000 PSI



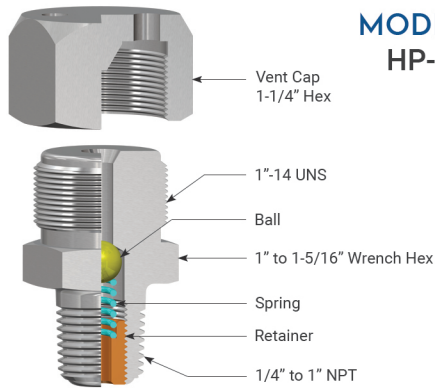
VENTED CAP BODY GREASE FITTINGS - FREE FLOW TYPE



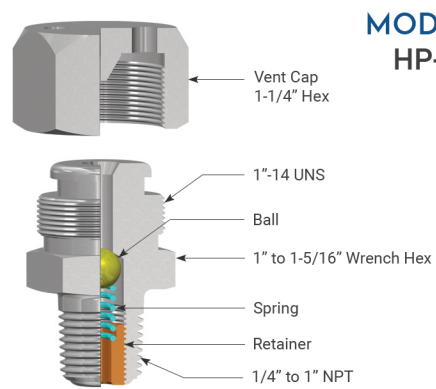
The Free Flow fitting utilizes a unique spring retainer that is threaded into the body of the fitting. This special retainer also acts as a ball support and spring guide, and its design allows for the Free Flow of lubricants and sealant around the spring, instead of through it.

- Only unrestricted flow path on the market – the straight-line passageway significantly reduces tendency to “pack off.”
- Guaranteed against “Blow Out” when used within design limitations of the fitting. Excellent in extreme cold environments.
- Increased flow rates due to the unrestricted flow path.
- Meets latest revision of NACE – no cold working of materials.

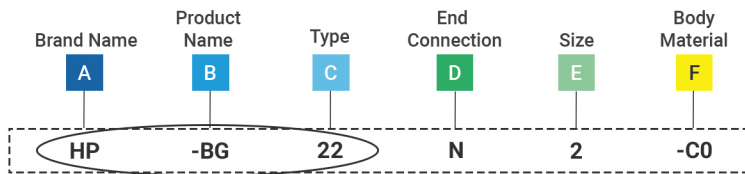
Without Giant Button Head



With Giant Button Head



PART NO. ORDERING SYSTEM:



EXAMPLE :

MODEL NO. (Please refer Product Page)

Part Code: HP-BG22N2-C0

Description: Vented Cap Body Grease Fittings (Free Flow - Without Giant), 1/4"NPT, SS316

D	END CONN.
N	NPT
BP	BSPP
BT	BSPT
UF	UNF
ME	METRIC
S	UNC
US	UNS
P	NPSM

E	SIZE
2	1/4"
3	3/8"
4	1/2"
5	5/8"
6	3/4"
7	7/8"
8	1"

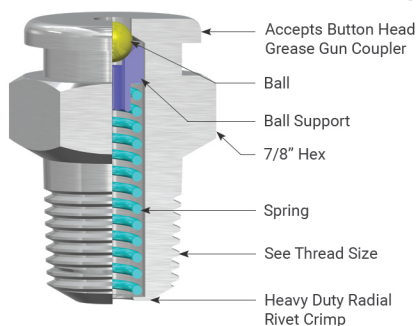
F	MATERIAL		
Code	BODY	BALL	SPRING
10	1215	Chrome Alloy	302 SS
80	4140	K-Monel	Inconel X-750
S1	SS304	K-Monel	Inconel X-750
C0	SS316	K-Monel	Inconel X-750
S5	SS316L	K-Monel	Inconel X-750
S12	410	Tungsten Carbide	Inconel X-750
S13	F44	Tungsten Carbide	Inconel X-750
S14	Duplex - F51	Tungsten Carbide	Inconel X-750
S15	Super Duplex - F53	Tungsten Carbide	Inconel X-750
S16	Super Duplex - F55	Tungsten Carbide	Inconel X-750
S17	Duplex - F60	Tungsten Carbide	Inconel X-750
N1	Monel K400	Tungsten Carbide	Inconel X-750
N2	Monel K500	Tungsten Carbide	Inconel X-750
N4	Inconel 625	Tungsten Carbide	Inconel X-750
N5	Inconel 718	Tungsten Carbide	Inconel X-750
N7	Inconel 825	Tungsten Carbide	Inconel X-750
N8	Hastelloy C276	Tungsten Carbide	Inconel X-750

Note:
For Service to 10,000 PSI



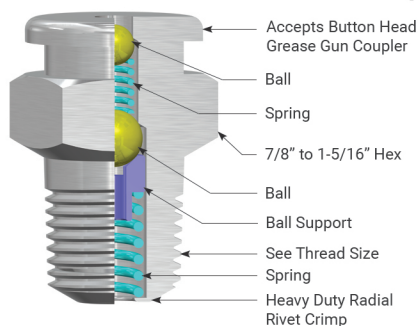
Single Ball Check

**MODEL NO.
HP-GB10**



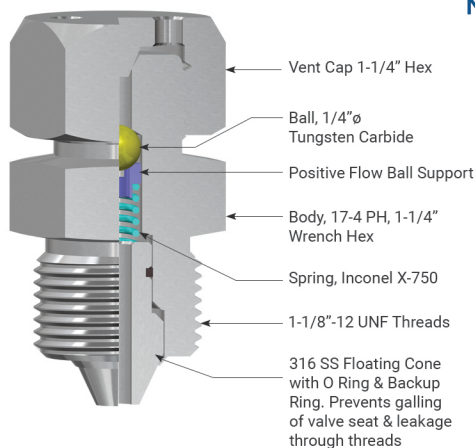
Double Ball Check

**MODEL NO.
HP-GB11**



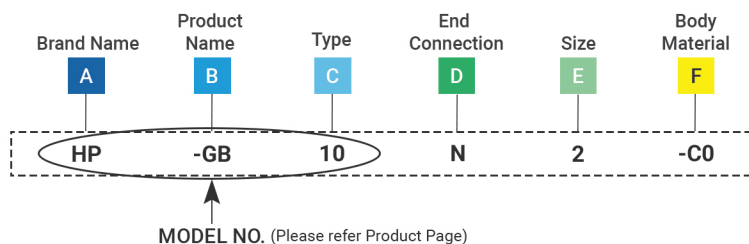
Autoclave Grease Fitting with Vented Cap

**MODEL NO.
HP-AGF10**



NOTE: Autoclave Grease Fitting for supply in the size of 1-1/8" only

PART NO. ORDERING SYSTEM:



EXAMPLE :

Part Code: HP-GB10N2-C0

Description: Giant Button Head Fittings (Single Ball Check), 1/4"NPT, SS316

D	END CONN.
N	NPT
BP	BSPP
BT	BSPT
UF	UNF
ME	METRIC
S	UNC
US	UNS
P	NPSM

E	SIZE
2	1/4"
3	3/8"
4	1/2"
5	5/8"
6	3/4"
7	7/8"
8	1"
9	1-1/8"

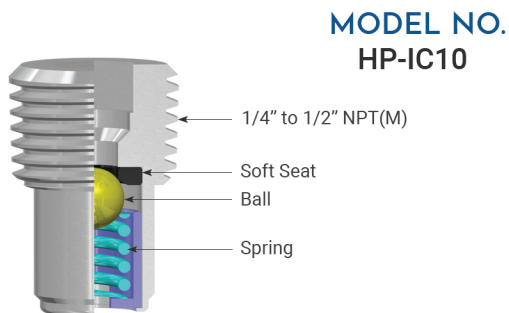
F	MATERIAL		
Code	BODY	BALL	SPRING
10	1215	Chrome Alloy	302 SS
80	4140	K-Monel	Inconel X-750
S1	SS304	K-Monel	Inconel X-750
C0	SS316	K-Monel	Inconel X-750
S5	SS316L	K-Monel	Inconel X-750
S12	410	Tungsten Carbide	Inconel X-750
S13	F44	Tungsten Carbide	Inconel X-750
S14	Duplex - F51	Tungsten Carbide	Inconel X-750
S15	Super Duplex - F53	Tungsten Carbide	Inconel X-750
S16	Super Duplex - F55	Tungsten Carbide	Inconel X-750
S17	Duplex - F60	Tungsten Carbide	Inconel X-750
N1	Monel K400	Tungsten Carbide	Inconel X-750
N2	Monel K500	Tungsten Carbide	Inconel X-750
N4	Inconel 625	Tungsten Carbide	Inconel X-750
N5	Inconel 718	Tungsten Carbide	Inconel X-750
N7	Inconel 825	Tungsten Carbide	Inconel X-750
N8	Hastelloy C276	Tungsten Carbide	Inconel X-750

Note:
For Service to 10,000 PSI



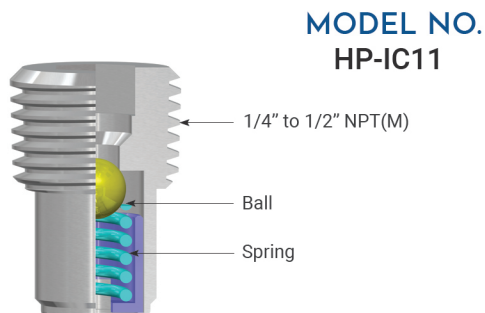
INTERNAL CHECK VALVE FITTINGS

Internal Check - Soft Seat



MODEL NO.
HP-IC10

Internal Check - Metal Seat

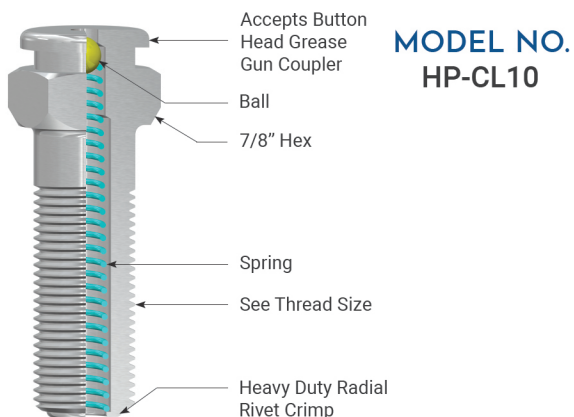


MODEL NO.
HP-IC11

NOTE: For Supply in the size of 1/8", 1/4", 3/8", 1/2" Only

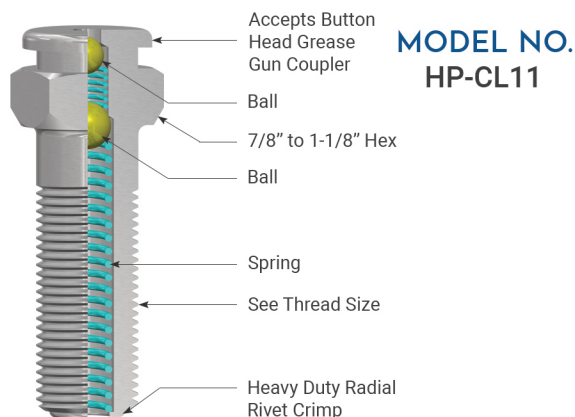
COMBINATION LUBRICANT FITTINGS

Single Ball Check



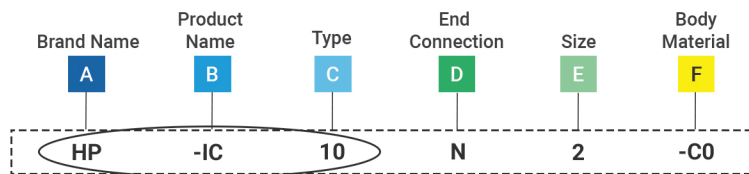
MODEL NO.
HP-CL10

Double Ball Check



MODEL NO.
HP-CL11

PART NO. ORDERING SYSTEM:



MODEL NO. (Please refer Product Page)

EXAMPLE :

Part Code: HP-IC10N2-C0

Description: Internal Check Valve Fittings (Soft Seat), 1/4"NPT, SS316

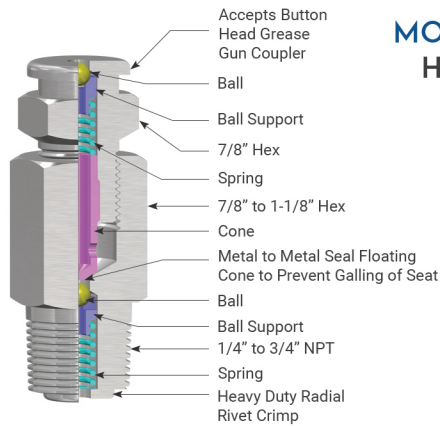
D	END CONN.
N	NPT
BP	BSPP
BT	BSPT
UF	UNF
ME	METRIC
S	UNC
US	UNS
P	NPSM

E	SIZE
2	1/4"
3	3/8"
4	1/2"
5	5/8"
6	3/4"
7	7/8"

Note:
For Service to 10,000 PSI

F	MATERIAL		
Code	BODY	BALL	SPRING
10	1215	Chrome Alloy	302 SS
80	4140	K-Monel	Inconel X-750
S1	SS304	K-Monel	Inconel X-750
C0	SS316	K-Monel	Inconel X-750
S5	SS316L	K-Monel	Inconel X-750
S12	410	Tungsten Carbide	Inconel X-750
S13	F44	Tungsten Carbide	Inconel X-750
S14	Duplex - F51	Tungsten Carbide	Inconel X-750
S15	Super Duplex - F53	Tungsten Carbide	Inconel X-750
S16	Super Duplex - F55	Tungsten Carbide	Inconel X-750
S17	Duplex - F60	Tungsten Carbide	Inconel X-750
N1	Monel K400	Tungsten Carbide	Inconel X-750
N2	Monel K500	Tungsten Carbide	Inconel X-750
N4	Inconel 625	Tungsten Carbide	Inconel X-750
N5	Inconel 718	Tungsten Carbide	Inconel X-750
N7	Inconel 825	Tungsten Carbide	Inconel X-750
N8	Hastelloy C276	Tungsten Carbide	Inconel X-750

MULTI LOCK SEAL FITTINGS



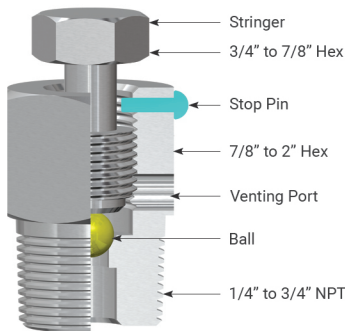
MODEL NO.
HP-LS10

NOTE: For supply in the size of 1/4", 3/8", 1/2", 3/4" Only

BODY VENT (BLEEDER) FITTINGS

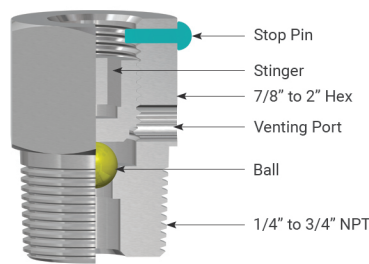
Standard Hex Head Style

MODEL NO.
HP-BV10



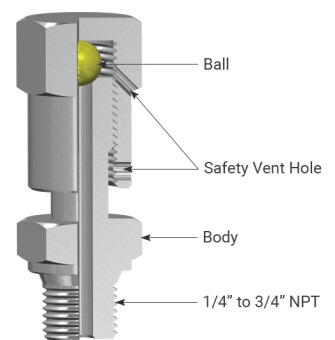
Hex Socket Head Style

MODEL NO.
HP-BV10-T1

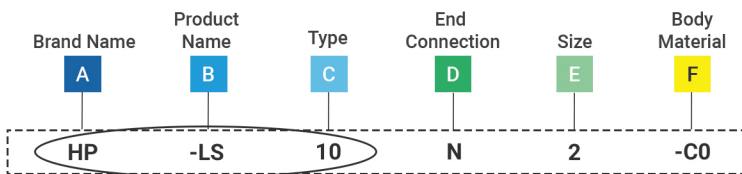


Vent Plug

MODEL NO.
HP-VP10



PART NO. ORDERING SYSTEM:



EXAMPLE :

MODEL NO. (Please refer Product Page)

Part Code: HP-LS10N2-C0

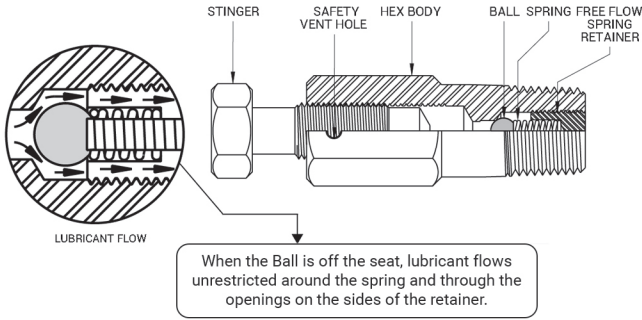
Description: Multi Lock Seal Fittings (Double Ball Check), 1/4"NPT, SS316

D	END CONN.
N	NPT
BP	BSPP
BT	BSPT
UF	UNF
ME	METRIC
S	UNC
US	UNS
P	NPSM

E	SIZE
2	1/4"
3	3/8"
4	1/2"
5	5/8"
6	3/4"
7	7/8"
8	1"

F	MATERIAL		
Code	BODY	BALL	SPRING
10	1215	Chrome Alloy	302 SS
80	4140	K-Monel	Inconel X-750
S1	SS304	K-Monel	Inconel X-750
C0	SS316	K-Monel	Inconel X-750
S5	SS316L	K-Monel	Inconel X-750
S12	410	Tungsten Carbide	Inconel X-750
S13	F44	Tungsten Carbide	Inconel X-750
S14	Duplex - F51	Tungsten Carbide	Inconel X-750
S15	Super Duplex - F53	Tungsten Carbide	Inconel X-750
S16	Super Duplex - F55	Tungsten Carbide	Inconel X-750
S17	Duplex - F60	Tungsten Carbide	Inconel X-750
N1	Monel K400	Tungsten Carbide	Inconel X-750
N2	Monel K500	Tungsten Carbide	Inconel X-750
N4	Inconel 625	Tungsten Carbide	Inconel X-750
N5	Inconel 718	Tungsten Carbide	Inconel X-750
N7	Inconel 825	Tungsten Carbide	Inconel X-750
N8	Hastelloy C276	Tungsten Carbide	Inconel X-750

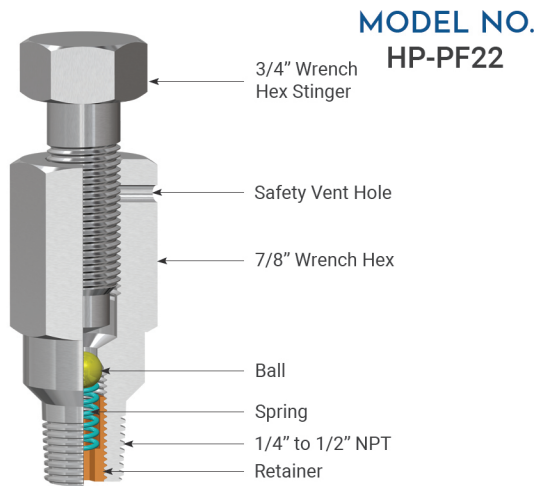
Note:
For Service to 10,000 PSI



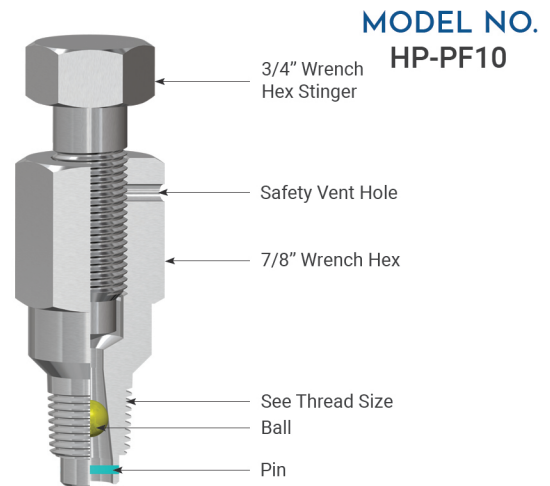
The Free Flow design of the Body Grease Fitting has been incorporated into our Packing Injection Fittings. Compared to standard floating ball designs, the Free Flow's specially designed spring retainer allows even the heaviest of lubricants and/or sealant to flow freely through the Packing Injection Fitting.

- Positive back seating is provided without relying on the presence of back pressure.
- Guaranteed against "Blow Out" when used within design limitations of the fitting. Excellent in extreme cold environments.
- Meets latest revision of NACE – no cold working of materials.

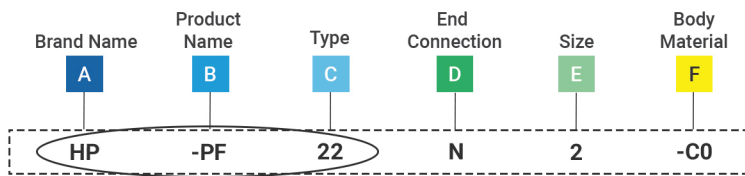
Packing Injection - Free Flow



Packing Injection - Floating Ball



PART NO. ORDERING SYSTEM:



EXAMPLE :

Part Code: HP-PF22N2-C0

Description: Packing Injection Fittings (Free Flow), 1/4"NPT, SS316

MODEL NO. (Please refer Product Page)

D	END CONN.
N	NPT
BP	BSPP
BT	BSPT
UF	UNF
ME	METRIC
S	UNC
US	UNS
P	NPSM

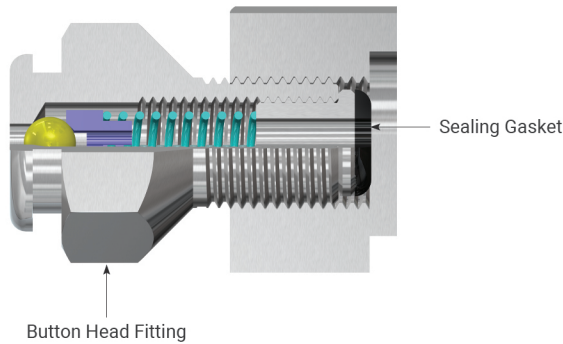
E	SIZE
2	1/4"
3	3/8"
4	1/2"

Note:
For Service to 10,000 PSI

F	MATERIAL		
Code	BODY	BALL	SPRING
10	1215	Chrome Alloy	302 SS
80	4140	K-Monel	Inconel X-750
S1	SS304	K-Monel	Inconel X-750
C0	SS316	K-Monel	Inconel X-750
S5	SS316L	K-Monel	Inconel X-750
S12	410	Tungsten Carbide	Inconel X-750
S13	F44	Tungsten Carbide	Inconel X-750
S14	Duplex - F51	Tungsten Carbide	Inconel X-750
S15	Super Duplex - F53	Tungsten Carbide	Inconel X-750
S16	Super Duplex - F55	Tungsten Carbide	Inconel X-750
S17	Duplex - F60	Tungsten Carbide	Inconel X-750
N1	Monel K400	Tungsten Carbide	Inconel X-750
N2	Monel K500	Tungsten Carbide	Inconel X-750
N4	Inconel 625	Tungsten Carbide	Inconel X-750
N5	Inconel 718	Tungsten Carbide	Inconel X-750
N7	Inconel 825	Tungsten Carbide	Inconel X-750
N8	Hastelloy C276	Tungsten Carbide	Inconel X-750

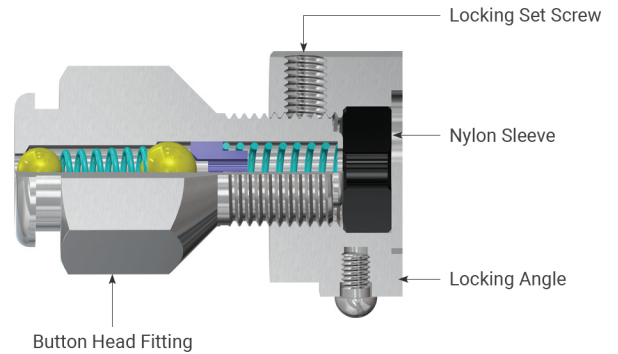
Standard Style

MODEL NO
HP-LL1



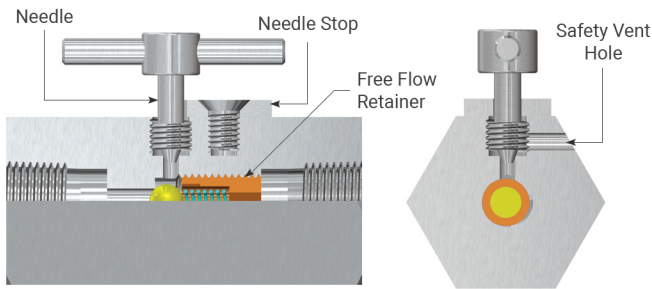
Nylon Insert / Lock-On Style

MODEL NO
HP-LL1-NL



Safe Vent Coupler

MODEL NO
HP-SV22

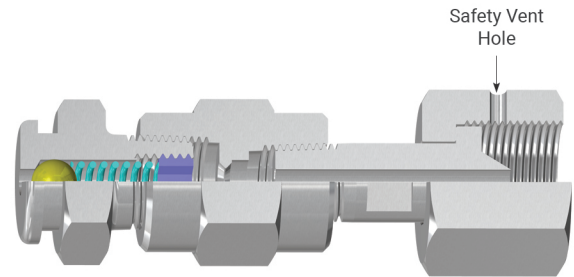


GREASE GUN LUBE ADAPTER WITH PRESSURE RELEASE AND CHECK. ADAPTS TO GREASE GUN HOSE VIA 1/4" NPT FEMALE PORT. (CAN BE PURCHASED WITH OR WITHOUT LUBE ADAPTER)

NOTE: For Supply in the size of 1/4" Only

Combination Lube Adaptor

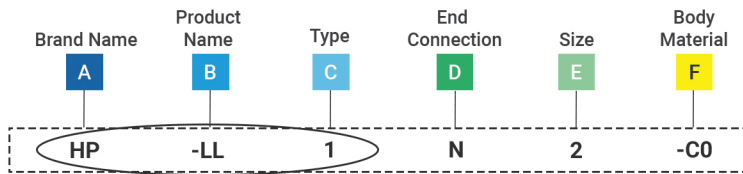
MODEL NO
HP-LA10-T2



GREASE GUN LUBE ADAPTER WITH GIANT BUTTON HEAD AND BALL CHECK

NOTE: For Supply in the size of 7/8", 3/4", 1" Only

PART NO. ORDERING SYSTEM:



EXAMPLE :

MODEL NO. (Please refer Product Page)

Part Code: HP-LL1N2-C0

Description: Leak Lock Fittings (Standard Style), 1/4"NPT, SS316

D	END CONN.
N	NPT
BP	BSPP
BT	BSPT
UF	UNF
ME	METRIC
S	UNC
US	UNS
P	NPSM

E	SIZE
2	1/4"
3	3/8"
4	1/2"
5	5/8"
6	3/4"
7	7/8"
8	1"

Note:
For Service to 10,000 PSI

F	MATERIAL		
Code	BODY	BALL	SPRING
10	1215	Chrome Alloy	302 SS
80	4140	K-Monel	Inconel X-750
S1	SS304	K-Monel	Inconel X-750
C0	SS316	K-Monel	Inconel X-750
S5	SS316L	K-Monel	Inconel X-750
S12	410	Tungsten Carbide	Inconel X-750
S13	F44	Tungsten Carbide	Inconel X-750
S14	Duplex - F51	Tungsten Carbide	Inconel X-750
S15	Super Duplex - F53	Tungsten Carbide	Inconel X-750
S16	Super Duplex - F55	Tungsten Carbide	Inconel X-750
S17	Duplex - F60	Tungsten Carbide	Inconel X-750
N1	Monel K400	Tungsten Carbide	Inconel X-750
N2	Monel K500	Tungsten Carbide	Inconel X-750
N4	Inconel 625	Tungsten Carbide	Inconel X-750
N5	Inconel 718	Tungsten Carbide	Inconel X-750
N7	Inconel 825	Tungsten Carbide	Inconel X-750
N8	Hastelloy C276	Tungsten Carbide	Inconel X-750

Pressure Relief Tool

MODEL NO
HP-PR11

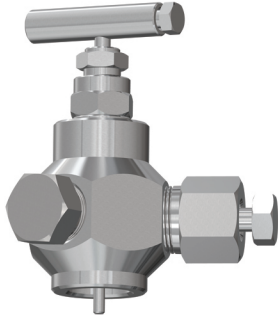
WITHOUT BLEEDER



For 1"-14UNS Vented Cap Fittings
1/2"NPT Vent Port

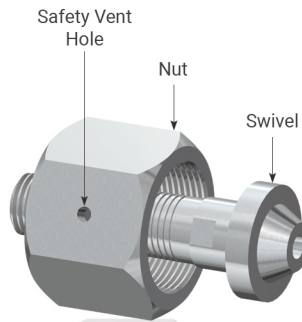
MODEL NO
HP-PR12

WITH BLEEDER



Grease Gun Lube Adaptor

MODEL NO
HP-LA10



(Swivel + Nut)
Adapts to Grease Gun Via 1/4"NPT Male Threads

NOTE: For Supply in the size of 7/8", 3/4", 1" Only

Giant Button Head Coupler

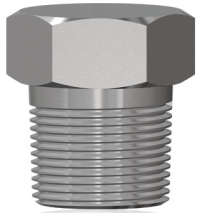
MODEL NO
HP-BHC78



Adapts To Grease Gun Via
1/4"NPT Female Threads

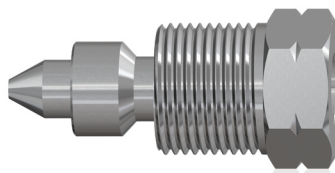
Cavity Plug

MODEL NO
HP-CP



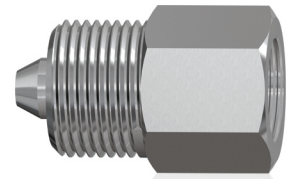
Autoclave Gland Plug

MODEL NO
HP-AGP

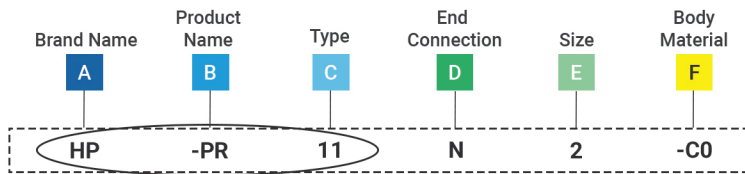


Autoclave Fittings

MODEL NO
HP-AF10F



PART NO. ORDERING SYSTEM:



MODEL NO. (Please refer Product Page)

EXAMPLE :

Part Code: HP-PR11N2-C0

Description: Pressure Relief Tool, 1/4"NPT, SS316

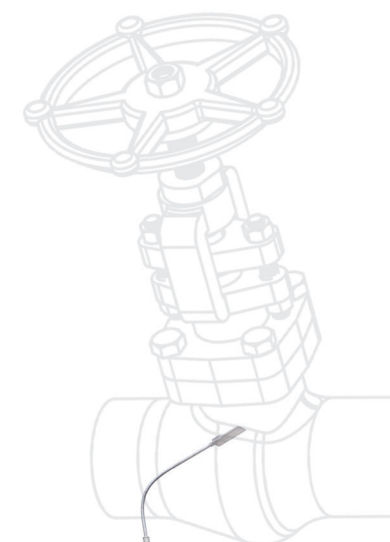
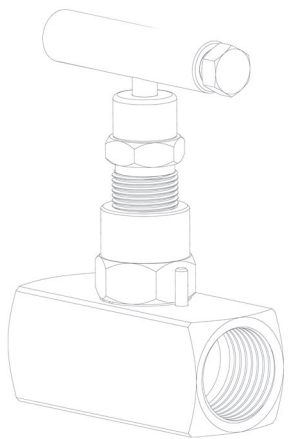
D	END CONN.
N	NPT
BP	BSPP
BT	BSPT
UF	UNF
ME	METRIC
S	UNC
US	UNS
P	NPSM

E	SIZE
2	1/4"
3	3/8"
4	1/2"
5	5/8"
6	3/4"
7	7/8"
8	1"

Note:
For Service to 10,000 PSI

F	MATERIAL		
Code	BODY	BALL	SPRING
10	1215	Chrome Alloy	302 SS
80	4140	K-Monel	Inconel X-750
S1	SS304	K-Monel	Inconel X-750
C0	SS316	K-Monel	Inconel X-750
S5	SS316L	K-Monel	Inconel X-750
S12	410	Tungsten Carbide	Inconel X-750
S13	F44	Tungsten Carbide	Inconel X-750
S14	Duplex - F51	Tungsten Carbide	Inconel X-750
S15	Super Duplex - F53	Tungsten Carbide	Inconel X-750
S16	Super Duplex - F55	Tungsten Carbide	Inconel X-750
S17	Duplex - F60	Tungsten Carbide	Inconel X-750
N1	Monel K400	Tungsten Carbide	Inconel X-750
N2	Monel K500	Tungsten Carbide	Inconel X-750
N4	Inconel 625	Tungsten Carbide	Inconel X-750
N5	Inconel 718	Tungsten Carbide	Inconel X-750
N7	Inconel 825	Tungsten Carbide	Inconel X-750
N8	Hastelloy C276	Tungsten Carbide	Inconel X-750

CLIENT LOCATIONS ACROSS THE WORLD



HP
HPLOCK
HP VALVES & FITTINGS INDIA PRIVATE LIMITED
Instrumentation Valves & Fittings and Sealant Injection Grease Fittings

OFFICE cum FACTORY (UNIT-2) :
 SP-133, 2nd Avenue, 3rd Street, SIDCO Industrial Estate,
 Ambattur, Chennai - 600 058, Tamil Nadu, India.
UNIT-1: B-11, Mugappair Industrial Estate, Mugappair West, Chennai-600 037, Tamilnadu, India.
Tel: +91 - 44 - 26252537/38 | **Fax:** +91 - 44 - 43550039 | **Mob:** +91 - 9840222338, 9445544888
Email: sales@hpvalvesindia.com | **Website:** www.hpvalvesindia.com
Roc(CIN): U29120TN2008PTC067808 | **GST No:** 33AACCH0510P1ZU | **IEC No:** 408028777

HP-VF/2021/R-03 Dt: 01/08/2021